

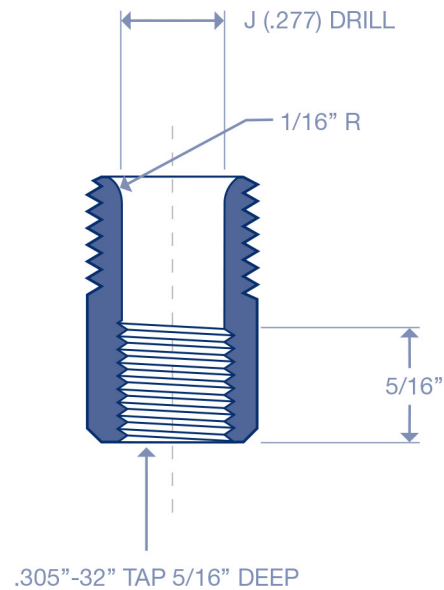
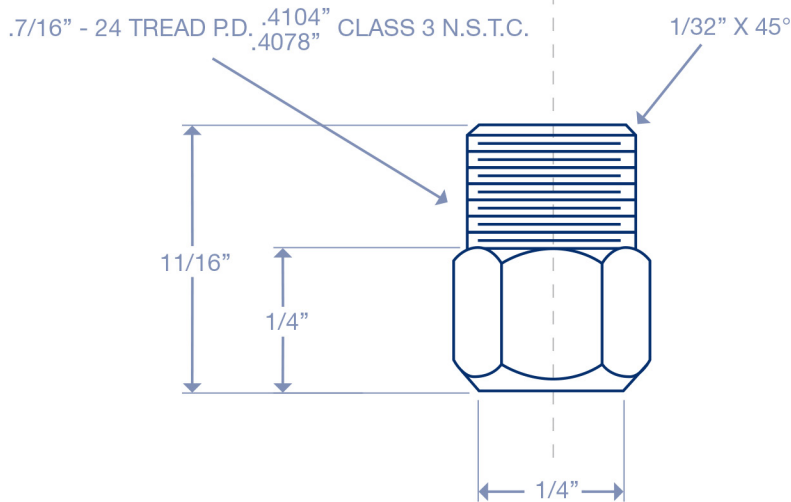
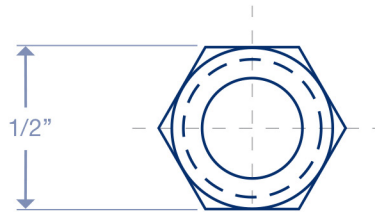
MAID-O-MIST



CONNECTOR BODY

NO. 750

1/4" SLEEVE (COMPRESSION)
1/4" NUT (COMPRESSION)
BODY - #750



PART NUMBER	7A/113023
MATERIAL	7/16" HEX ROD BRASS

In situations where Safe Waste is required by law or areas particularly susceptible to water damage, the No. 7A Connector is used to connect 1/4" copper or plastic tubing to the venting port of Maid-O'-Mist® vents. In this manner, any spray caused at system start-up or leaking caused by scale in a system can be safely directed to a drain.



Manufacturing the finest plumbing products since 1932.
3196 N Kennicott Ave, Arlington Heights, IL 60641
www.maidmist.com • 773-685-7300