

MAIDOMIST



AUTOMATIC SHUTOFF CONNECTION

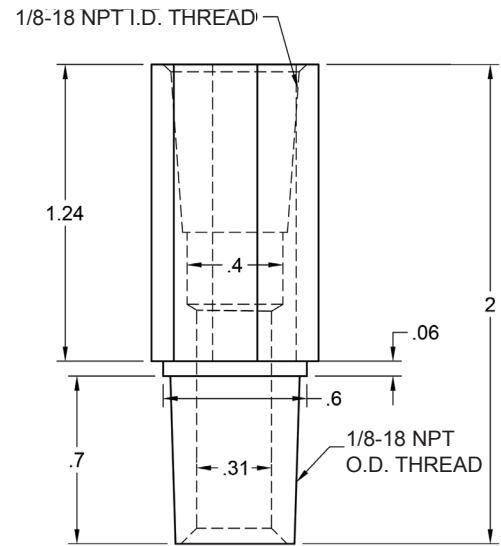
9AS

The 9AS is a 1/8" NPT connector built to accept any 1/8" NPT vent or fitting.

Made from solid stainless steel and neoprene rubber, this device is designed to allow for your system to stay pressurized while you change the vent or fitting.

Install this item to your pipe and install the vent or fitting to the female end of this device.

MATERIAL	PRESSURE	HEIGHT	HEX WIDTH	DIAMETER / THREAD
304 SS	75PSI	1.95	.675	1/8" NPT



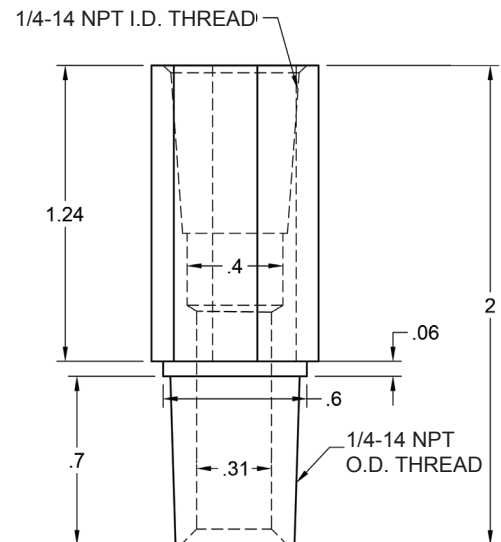
10AS

The 10AS is a 1/4" NPT connector built to accept any 1/4" NPT vent or fitting.

Made from solid stainless steel and neoprene rubber, this device is designed to allow for your system to stay pressurized while you change the vent or fitting.

Install this item to your pipe and install the vent or fitting to the female end of this device.

MATERIAL	PRESSURE	HEIGHT	HEX WIDTH	DIAMETER / THREAD
304 SS	150PSI	1.074	.500	1/4" NPT



3217 N. Pulaski Rd. Chicago, IL 60641
773 685 7300 • contact@maidmist.com